

# MICRO SWITCHES



## V3 SERIES

( Full-Disconnection – Gap > 3mm )

### SPECIFICATIONS

#### Contact Resistance(initial)

Max. 30 mΩ

Measured by ohm meter - open voltage < 1VDC, driver current -100 mA

#### Insulation Resistance (at 500 VDC / minute)

Min. 100 MΩ

#### Dielectric Strength

Min. 1500VAC(50-60HZ)/minute between Live parts.

Min. 1500VAC(50-60HZ)/minute between Live parts and dead metal parts

#### Operating Temperature Range

-40°C to 125°C ( with no icing )

#### Vibration

10~55Hz, displacement 0.75 mm (p-p)

#### Electrical Service Life

All rating - Min. 10,000 operations

#### Electrical Operating Frequency

All rating 10~30 operations per minute

#### Mechanical Service Life

Min. 5,000,000 operations

#### Mechanical Operating Frequency

120 operations per minute

#### Operating application of the switch

Set the switch pushing distance from 60% to 90% of the specified OT value

### APPLICATIONS

Joystick, TV game, Time recorder, Air conditioner, Food processor, Juice maker, Alarm, Mixer, Shredder machine.

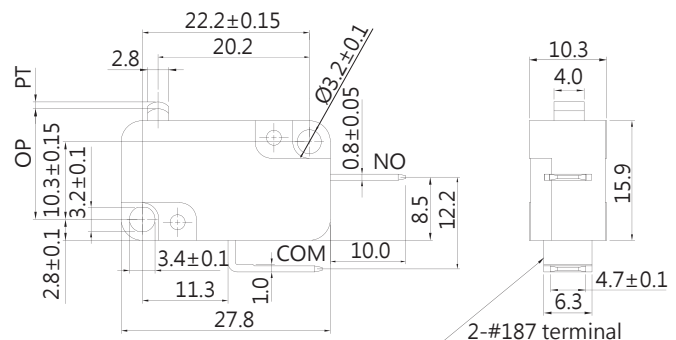
### THE SELECTION OF RATING & FORCE

MODEL	Rating	L K	S R	H G
V3	10A, 10(4) A	*	*	*
	16A, 16(4) A	*	*	*
	20.1 A	*	*	*
	25 A	*	*	*
	10.1(8)A	*	*	*

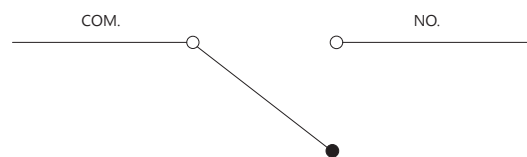
NOTE : The Symbol " \* " to represent the result is accepted

### DIMENSIONS

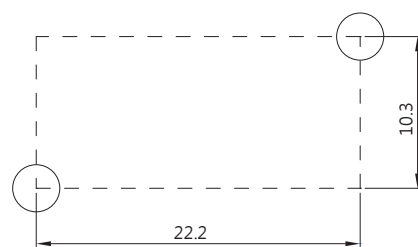
Unless otherwise specified, a tolerance of ±0.4mm applies to all dimensions.



### CONTACT CONFIGURATION



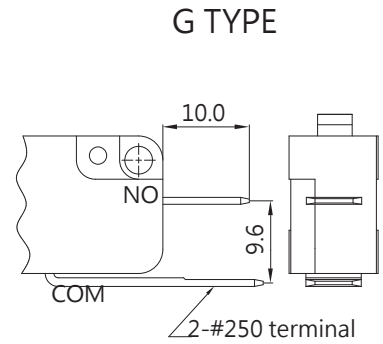
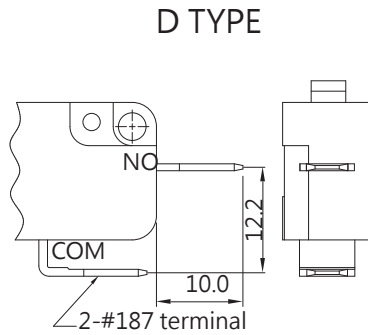
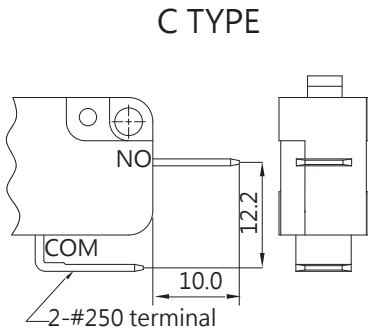
### MOUNTING HOLES



### CERTIFICATE INFORMATION

Model Name	UL, cUL	ENEC
V3-10	10.1A 125/250VAC 1/2 HP 125/250 VAC (Temp:100°C) Min. 6,000 operations	10(4)A 125/250VAC T100 1E4
V3-16	16A 125/250VAC 1/2 HP 125/250 VAC (Temp:125°C) Min. 6,000 operations	16(4)A 125/250VAC T125 1E4
V3-20	20.1A 125/250VAC 1 HP 125/250 VAC (Temp:100°C) Min. 6,000 operations	20.1A 125/250VAC T125 1E4 10.1(8)A 125/250VAC T125 1E4
V3-25	25A 125/250VAC 1 HP 125/250 VAC (Temp:100°C) Min. 6,000 operations	25.1A 125/250VAC T125 1E4 10.1(8)A 125/250VAC T125 1E4

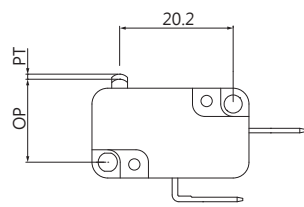
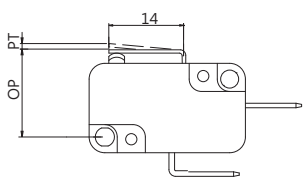
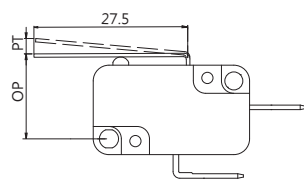
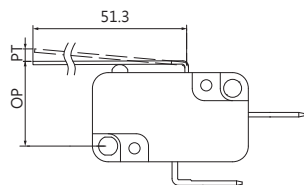
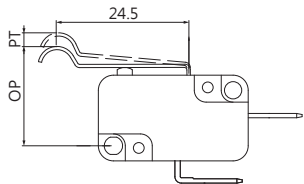
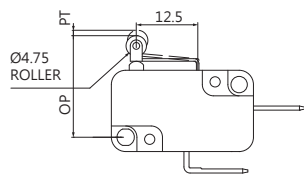
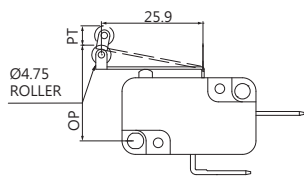
TERMINAL TYPES



ORDERING INFORMATION

V	3	—	2	5	S	—	0	1	D	1	—	Z
SERIES PREFIX	RATING CURRENT	OPERATING FORCE	ACTUATOR TYPE	ACTUATOR TYPE	CIRCUIT ARRANGEMENT	ROHS CODE						
	10 16 20 25	10.1A 125/250VAC 16A 125/250VAC 20.1A 125/250VAC 25A 125/250VAC	L S H K R G	00 01 02 03 04 05 06	1 S.P.S.T. NO							

OPERATING CHARACTERISTICS

SWITCH TYPE	PART SUFFIX	OF Max. (gf)			OP (mm)	PT Max. (mm)	OT Min. (mm)	MD Max. (mm)
		L	S	H				
		K	R	G				
V3- □□□ -00 □□ -Z		190	510	842	14.4± 0.5	1.90	0.70	1.20
		-	-	-	-	-	-	-
V3- □□□ -01 □□ -Z		190	510	753	15.0± 0.8	2.40	0.50	1.40
		135	295	400	15.0± 1.2	4.10	0.90	1.70
V3- □□□ -02 □□ -Z		100	260	374	15.0± 1.5	4.80	1.00	2.70
		80	150	200	15.0± 2.3	8.0	1.70	3.30
V3- □□□ -03 □□ -Z		52	140	215	15.0± 2.8	8.9	1.80	5.10
		46	80	115	15.0± 4.7	15.0	3.10	7.00
V3- □□□ -04 □□ -Z		108	290	435	18.4± 1.3	4.30	0.90	2.40
		88	170	235	18.4± 2.0	7.20	1.50	2.90
V3- □□□ -05 □□ -Z		190	510	842	20.4± 0.7	2.20	0.40	1.20
		145	330	445	20.4± 1.0	3.70	0.80	1.50
V3- □□□ -06 □□ -Z		102	275	395	20.4± 1.4	4.50	0.90	2.60
		84	160	220	20.4± 2.2	7.60	1.60	3.10