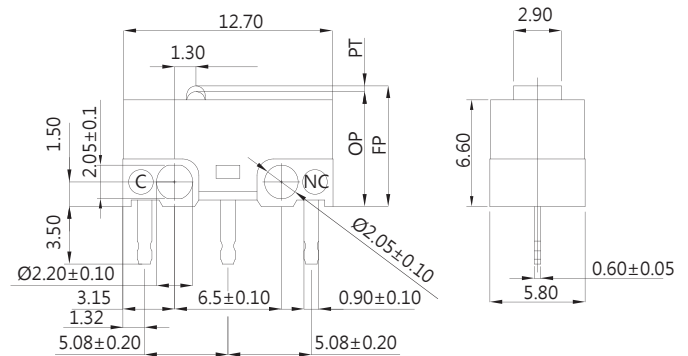


MICRO SWITCHES



DIMENSIONS

Unless otherwise specified, a tolerance of $\pm 0.4\text{mm}$ applies to all dimensions.



DF SERIES

SPECIFICATIONS

Contact Resistance (initial)

Max. 100m Ω

Measured by ohm meter –Open Voltage < 1VDC, Driver current -100mA

Insulation Resistance (at 500VDC/minute)

Min. 100M Ω

Dielectric Strength

Min. 500VAC(50-60HZ)/minute between Live parts

Min. 1500VAC(50-60HZ)/minute between Live parts and dead metal parts

Operating Temperature Range

-40°C to 85°C (with no icing)

Vibration

10~55Hz, displacement 0.75 mm (p-p)

Electrical Service Life

0.1A - Min. 1,000,000 operations

Other ratings - Min. 10,000 operations

Electrical Operating Frequency

10~30 operations per minute

Mechanical Service Life

Min. 1,000,000 operations

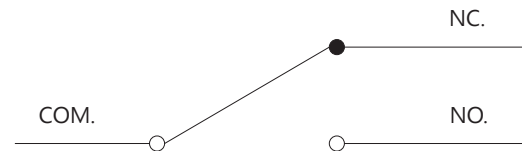
Mechanical Operating Frequency

120 operations per minute

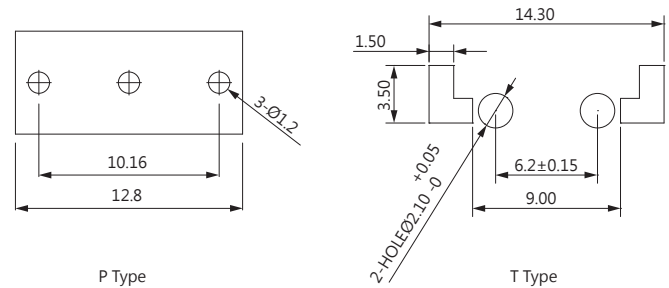
Operating application of the switch

Set the switch pushing distance from 60% to 90% of the specified OT value

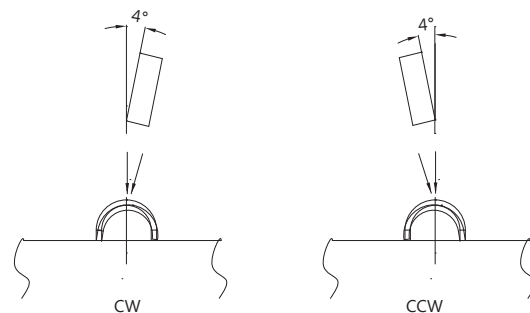
CONTACT CONFIGURATION



MOUNTING HOLES



PRESSING DIRECTION IS SUGGESTED TO BE VERTICAL AND WITH +/- 4°



Available for the model that mouse has stoppers added more than Min.0.1mm

THE SELECTION OF RATING & FORCE

MODEL	Rating	L	S
DF	0.1A	*	*
	1A	*	*
	3A	*	*

NOTE : The Symbol " * " to represent the result is accepted

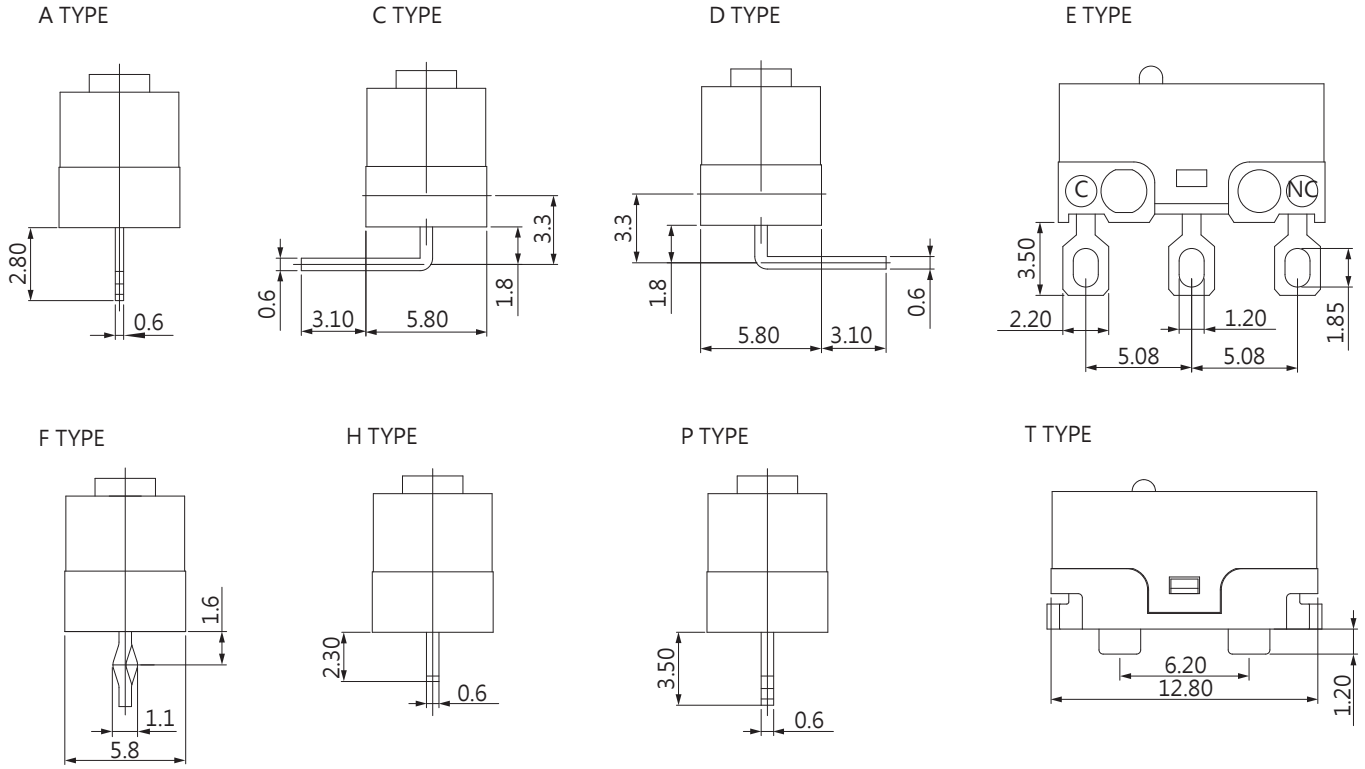
APPLICATIONS

Mouses, Joysticks, Small home appliances, Central heating control

CERTIFICATE INFORMATION

Model Name	UL, cUL	ENEC
DF-01	1RA 125/250VAC μ T55 1E4	1A 125/250VAC μ T55 1E4
	1RA 24VDC μ T55 1E4	1A 24VDC μ T55 1E4
DF-03	3A 125VAC (Temp:65°C) Min. 6000 operations	3A 125VAC μ T55 1E4
DF-G3	3A 125VAC(Temp:65°C) Min. 6000 operations	Non
DF-D3	3A 5VDC /12VDC (Temp:65°C) Min. 6000 operations	Non

TERMINAL TYPES



ORDERING INFORMATION

D	F	-	P	1		L	-	0		P	-	Z
SERIES PREFIX			RATING CURRENT			OPERATING FORCE		ACTUATOR TYPE		TERMINAL TYPE		ROHS CODE
			P1	0.1A 125VAC		L	LIGHT	0		A		
			01	1A 125/250VAC		S	STANDARD	1		C		
			03	3A 125VAC				2		D		
			G1	0.1A 125VAC CONTACT PLATED GOLD				3		H		
			G3	3A 125VAC CONTACT PLATED GOLD				4		F		
			D3	3A 12VDC				5		P		
								6		E		
								7		T		
								8				
								9				

OPERATING CHARACTERISTICS

SWITCH TYPE	PART SUFFIX	OF Max. (gf)		OP (mm)	PT Max. (mm)	OT Min. (mm)	MD Max. (mm)	FP Max. (mm)	RF Min. (gf)
		L	S						
DF- □□□ -0 □ -Z		L	80	7.0±0.2	0.62	0.2	0.12	7.35	21
		S	150						35
DF- □□□ -1 □ -Z		L	30	7.9±0.8	3.4	0.6	0.8	10.1	5
		S	56						8
DF- □□□ -2 □ -Z		L	25	9.8±0.9	3.5	0.7	0.92	14.2	5
		S	43						7
DF- □□□ -3 □ -Z		L	35	7.9±0.7	2.1	0.3	0.29	9.3	5
		S	57						12
DF- □□□ -4 □ -Z		L	39	8.0±0.8	2.5	0.5	0.7	10.8	6
		S	69						10
DF- □□□ -5 □ -Z		L	50	9.0±0.6	1.64	0.49	0.3	10.15	5
		S	70						11
DF- □□□ -6 □ -Z		L	30	8.33±0.9	3.5	0.6	0.8	10.6	3
		S	50						8
DF- □□□ -7 □ -Z		L	27	10.75±0.8	3.5	0.3	0.8	13.5	3
		S	48						8
DF- □□□ -8 □ -Z		L	33	8.17±0.8	2.8	0.6	0.7	11.2	5
		S	54						9
DF- □□□ -9 □ -Z		L	13	9.75±1.9	6.9	0.55	1.9	16.8	2
		S	21	9.5±1.9					3