

ROCKER SWITCHES



RF SERIES

SPECIFICATIONS

Contact Resistance (initial)

Max. 50 mΩ

Measured by ohm meter - open voltage < 1VDC, driver current -100 mA

Insulation Resistance (at 500 VDC / minute)

Min. 100 MΩ

Dielectric Strength

Min. 1000VAC(50-60HZ)/minute between Live parts.

Min. 3000VAC(50-60HZ)/minute between Live parts and dead metal parts

Operating Temperature Range

-40°C to 85°C (with no icing)

Vibration

10~55 Hz, displacement 0.75 mm(p-p)

Electrical Service Life

Min. 10,000 operations

Electrical Operating Frequency

10~30 operations per minute

APPLICATIONS

Juice Maker, Blender, Food Processor

CERTIFICATE INFORMATION

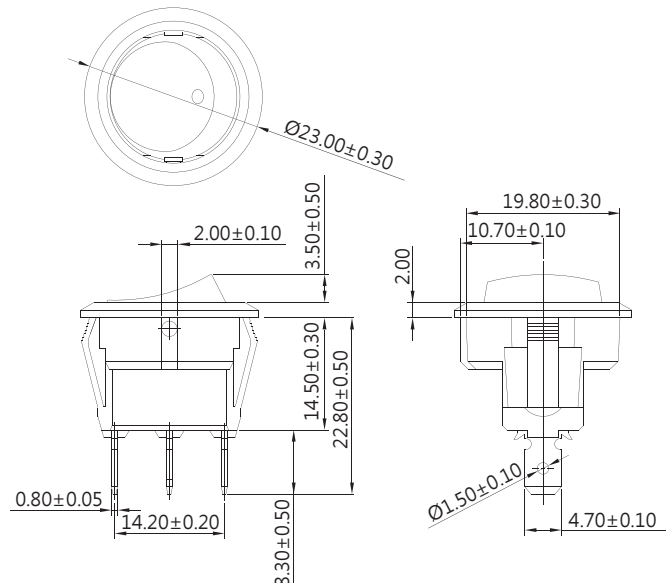
Model Name	UL, cUL	ENEC
RF-12S	12A 125/250 VAC (Temp:55°C) Min. 6,000 operations	12(4)A 250 VAC.µ T85/55, 1E4

ORDERING INFORMATION

R	F	-	1	2	S	-	D	B	R	2	-	0	-	Z	
SERIES PREFIX	C O D E	RATING CURRENT	C O D E	OPERATING FORCE	C O D E	TERMINAL TYPE	C O D E	CASE COLOR	C O D E	ACTUATOR COLOR	C O D E	CIRCUIT ARRANGEMENT	C O D E	ACTUATOR MARKING	ROHS CODE
	12	12A 125/250VAC 12(4)A 250VAC	S	Max.700gf	A	SOLDER TERMINAL	B	BLACK	B	BLACK	1	SPST	1	NO MARKING	
					D	187 SERIES	W	WHITE	R	RED	2	SPDT	2	•	
									P	PURPLE	3	SPST 250VAC WITH NEON LAMP (ONLY FOR RED ACTUATOR)	3	L H	
											4	SPST 125VAC WITH NEON LAMP (ONLY FOR RED ACTUATOR)	4	ON OFF	

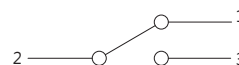
DIMENSIONS

Unless otherwise specified, a tolerance of ±0.4mm applies to all dimensions.

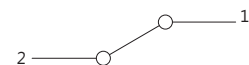


CONTACT CONFIGURATION

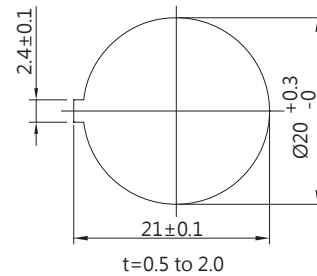
SPDT



SPST



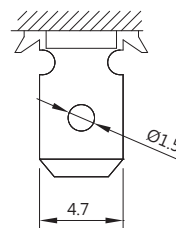
MOUNTING HOLES



TERMINAL TYPES

D TYPE

t=0.8
#187 Terminal



A TYPE

t=0.8
Solder Terminal

