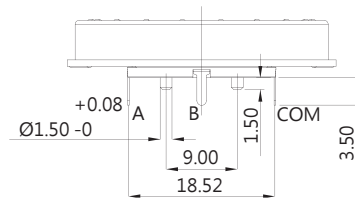
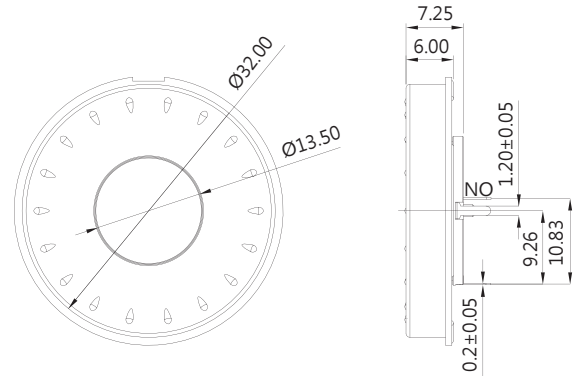
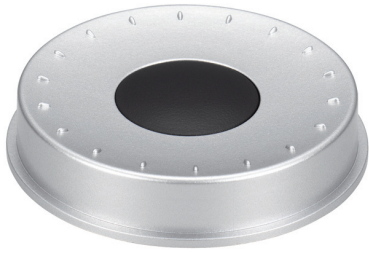


ROTARY SWITCHES

DIMENSIONS

Unless otherwise specified, a tolerance of $\pm 0.2\text{mm}$ applies to all dimensions.



KC SERIES

SPECIFICATIONS

Operating Force

Rotation - Max.60 gf-cm

Push - Max. 300 gf

Contact Resistance (initial)

Max. 300m Ω

Measured by ohm meter - open voltage < 1VDC, Driver current - 100mA

Insulation Resistance (at 100VDC/minute)

Min. 100M Ω

Operating Temperature Range

0°C to 40°C (with no icing)

Vibration

10~55 Hz, displacement 0.75 mm (p-p)

Electrical Service Life

Rotation - Min. 200,000 operations

C.W. 100,000 & C.C.W 100,000 operations

Push - Min. 1,000,000 operations

Electrical Operating Frequency

Rotation - 30 operations per minute

Push - 120 operations per minute

RATING

1mA 10VDC

APPLICATIONS

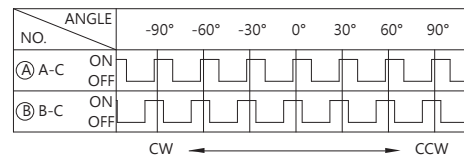
Remote control, Tablet, Keyboard, Audio, Mp3, NB, Mobile Phone

CONTACT CONFIGURATION

Push



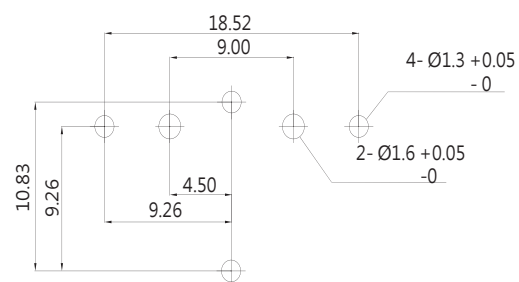
Rotation



Numbers of detent : 24

Pulse/Rotation : 12 pulse/360°

P.C.B MOUNTING HOLES



ORDERING INFORMATION

