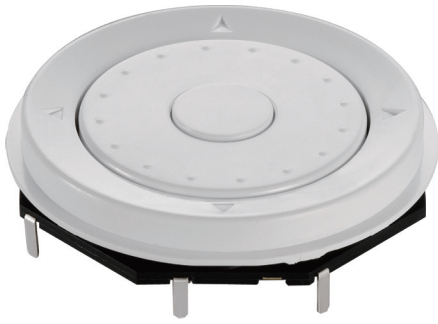
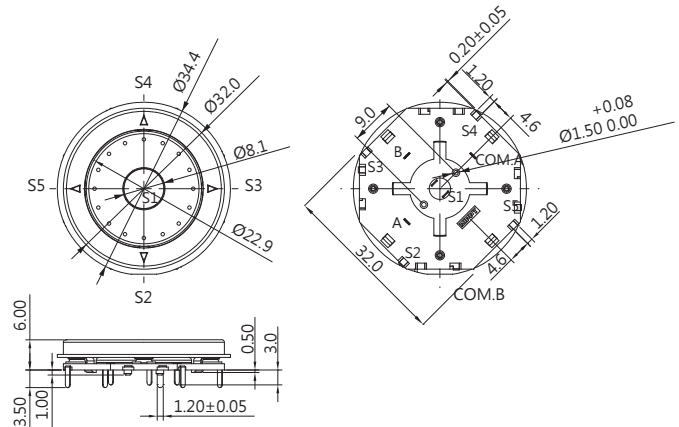


ROTARY SWITCHES



DIMENSIONS

Unless otherwise specified, a tolerance of $\pm 0.4\text{mm}$ applies to all dimensions.



ANO SERIES

SPECIFICATIONS

Operating Force

Rotation-Max. 60 gf-cm

5 way switch-Max. 300 gf

Contact Resistance(initial)

Max. 300 m Ω

Measured by ohm meter - open voltage < 1VDC, driver current -100 mA

Insulation Resistance(at 100 VDC/ minute)

Min. 100 M Ω

Operating Temperature Range

0°C to 40°C (with no icing)

Vibration

10~55 Hz, displacement 0.75 mm (p-p)

Electrical Service Life

Rotation-Min. 200,000 operations

(C.W. 100,000 & C.C.W. 100,000 operations)

Push-Min. 1,000,000 operations

Electrical Operating Frequency

Rotation-30 operations per minute

Push-120 operations per minute

RATING

1mA 10VDC

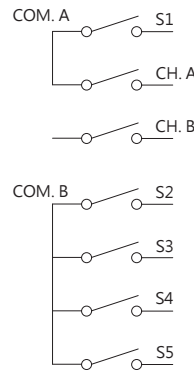
APPLICATIONS

Remote control, Tablet, Keyboard, Audio, Mp3 player, Notebook,

Mobile phone

CONTACT CONFIGURATION

Functional Block Diagram

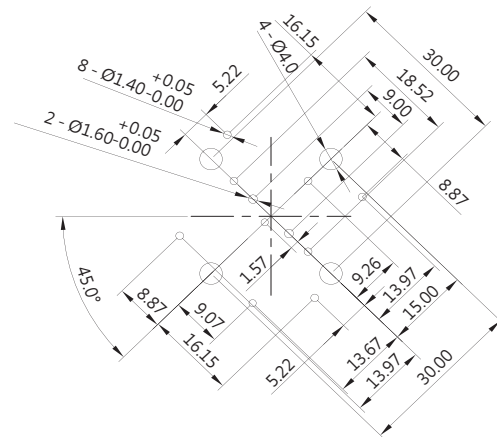


Rotational Output Waveform

ANGLE NO.	-90°	-60°	-30°	0°	30°	60°	90°
CH. A	ON	OFF	ON	OFF	ON	OFF	ON
CH. B	ON	OFF	OFF	ON	OFF	ON	OFF

CW ← → CCW
 Numbers of detent : 24
 Pulse/Rotation : 12 pulse/360°

MOUNTING HOLES



ORDERING INFORMATION

